

**UNKA**  
*SOUND SYSTEMS*



Unique Audio Solutions



**FORCE H112P**

Unique ratio of performance to size.

#### APPLICATIONS

Portable and installed AV systems.

Houses of worship: theaters, stadiums, concert halls, arenas,  
tour sound reinforcement.

Large-scale events

#### DESCRIPTION

H112P is a passive enclosure that can be used with external amplification or be exclave of the models FORCE H112A 2.0.

Optimization of our systems.

We have created several possibilities to arm our systems, according to the needs of our clients.

We are aware that we have clients who need to have absolute control over the system and clients who do not need this type of technology.

For this reason we have decided to create 2 FORCE H112 systems, considering that their Internal components are always the same, the only difference is power and control.

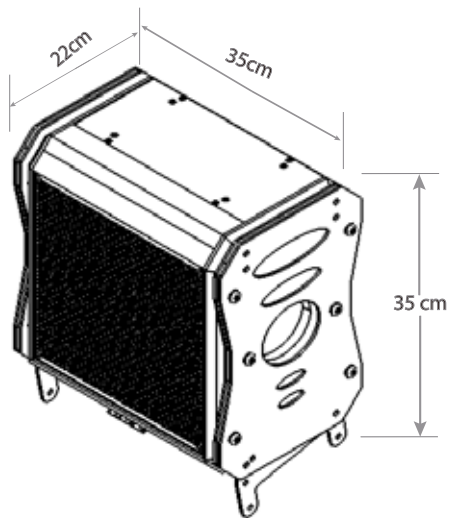
#### 1.- FORCE H112A 2.0

It has a 2x1.050w power module, one channel for its own enclosure and the other channel to power H112P satellites or FORCE S2P subwoofer. Without external control and with 4 presets.

#### 2.- FORCE H112 P

In this case, the H112P is a passive enclosure that can be used with external amplification. How to be exclamation of FORCE H112A.

## TECHNICAL SPECIFICATIONS FORCE H112P



### Technical Specifications

General	
Type	Point source / line array format
Transducers	1x 12" neodymium magnet woofer with 2.5" voice coil 1x compression driver with 2.5" voice coil
Frequency Response	120 Hz – 19 kHz (-6 dB)
Maximum SPL	137 dB (peak)
Coverage	30° horizontal 100° vertical

Connectivity	
Connectivity	Mains: 1x Speakon In 1x Speakon link

Handling	
Dimensions (WxHxD)	350 x 350 x 220 mm (39,53 x 13,78 x 8,66 in)
Weight	15 kg / 33,07 lb (with rigging hardware)