

The logo for UNKA SOUND SYSTEMS is centered on a dark, textured background. It features a stylized 'U' and 'K' symbol on the left, followed by the word 'UNKA' in a large, bold, italicized font. Below 'UNKA' is the phrase 'SOUND SYSTEMS' in a smaller, italicized font. A red brushstroke underline is positioned below the text.

UNKA
SOUND SYSTEMS

Unique Audio Solutions



FORCE H112A 2.0

**2 AMPLIFICATION CHANNELS
CAN FEED 1 H112P
2X1.050W**

Unique performance to size ratio

Self powered

APPLICATIONS

Portable AV systems.

Places of worship: theaters, stadiums, concert halls, arenas,

Sound reinforcement tour.

Large-scale events

DESCRIPTION

1 kHz test, single channel controlled). With a THD 1% maximum (EIAJ Ω 2x1.050 W at 8Hom).

An integrated class D amplifier offers 2 outputs 137 dB SPL. Horizontal use, with exceptional scenarios multi-peak, including vertical magnet woofers and neodymium, as long as the H212A has one standards 12 "coaxial, both sound quality and matrix

SPL. element, which meets the highest average power line, Weather resistant, the FORCE H112A loudspeaker is compact, self-powered under the Unka quality control system.

Optimization of our systems.

We have created several possibilities to arm our systems, according to the needs of our clients.

We are aware that we have clients who need to have absolute control over the system and clients who do not need this type of technology.

For this reason we have decided to create 2 FORCE H112 systems (active and passive), considering that their Internal components are always the same, the only difference is power and control.

1.- FORCE H112A 2.0

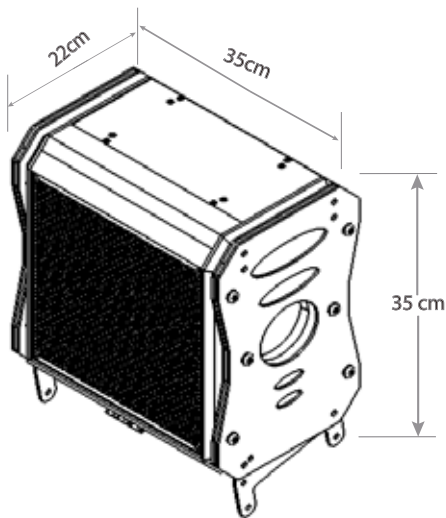
It has a 2x1,050w power module, the two channels are used for its own enclosure. Without external control and with 4 presets.

By installing the DSP-4 you can have external control via network. The possibilities of control and management. Total is excellent. Control is done with Harmony

2.- FORCE H112 P

In this case, the H212P is a passive enclosure that can be used with external amplification How to be exclamation of FORCE H112A 2.0, FORCE S2A, FORCE 3A models.

TECHNICAL SPECIFICATIONS FORCE H112A 2.0



Technical Specifications

General		
Type	Point source / line array format	
Transducers	1x 12" neodymium magnet woofer with 2.5" voice coil 1x450w 1x compression driver with 2.5" voice coil 1x120w	
Frequency Response	120 Hz – 19 kHz (-6 dB)	
Maximum SPL	137 dB (peak)	
Coverage	30° horizontal 100° vertical	
Internal Amplifier Module		
Type	2-ch., switch mode, class D	
Peak Output Power	2x 1050 W @ 8 Ω 1% THD+N ³	
Operating Range	100-240V AC, 50-60 Hz with PFC	
Power Consumption	300 W @ 8 Ω load, Pink noise 1/8 rated power	
Protections	Over Temp. (Power Limiting – Thermal Shutdown), Short Circuit/Overload Output Protection, Power Limiting, Clip Limiter/Permanent Signal Limiter, High Frequency Protection	
Mains Connector	powerCON with link inlet	
Controls and Connectivity		
Connectivity	Analog: 1x XLR (bal) input signal 1x XLR (bal) parallel output	Mains: 1x powerCON 1x powerCON link
Handling		
Dimensions (WxHxD)	350 x 350 x 220 mm (39,53 x 13,78 x 8,66 in)	
Weight	17 kg / 37,48 lb (with rigging hardware)	